



# Custom Cub Shocks Build Form

## Contact Info

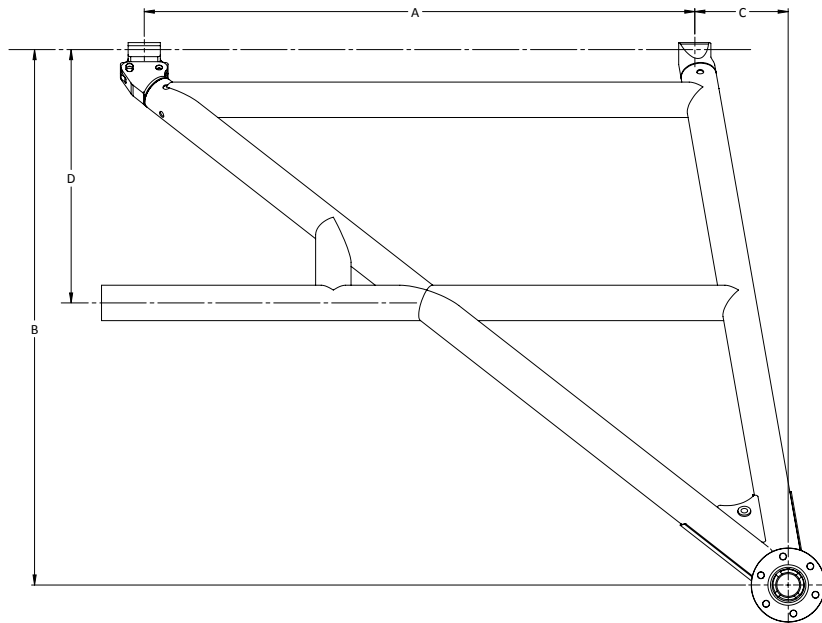
Name: \_\_\_\_\_

Street Address: \_\_\_\_\_

City, State, Zip: \_\_\_\_\_

Email Address: \_\_\_\_\_

Phone Number: \_\_\_\_\_



## Right Leg – 1175.00

**Gear Width** (measurement A): \_\_\_\_\_

**Gear Length** (measurement B): Standard  3"  6"  9"

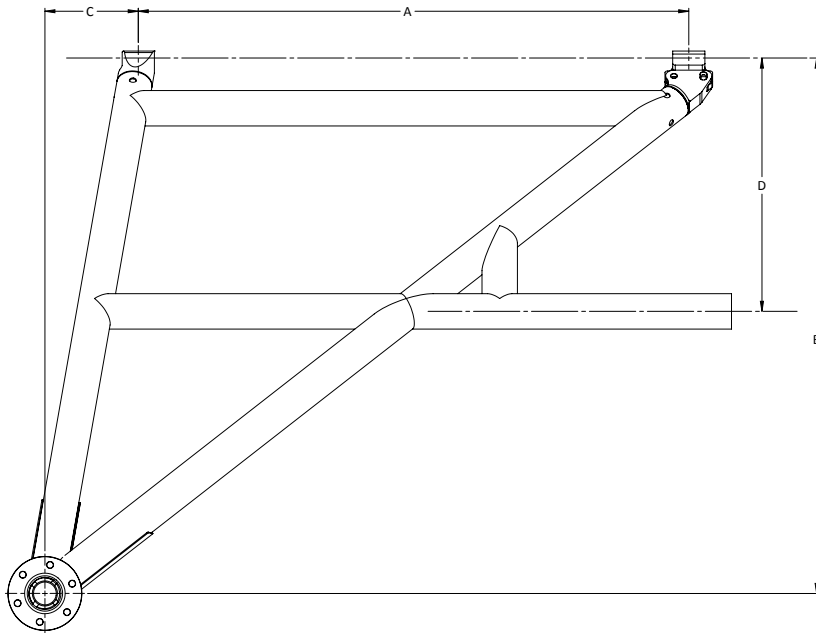
**Gear Sweep** (measurement C): Standard  3"  4.5"

**Middle Step** (add 100.00): Yes  No  Step Height (measurement D): \_\_\_\_\_

**Rear Step** (add 100.00): Yes  No  Step Height (measurement D): \_\_\_\_\_

**Fuel Line Tabs** (add 40.00): Yes  No  Axle Size: 1.25  1.5

**Quick Attach Bungs** (add 20.00 per bung): Yes  No  Number of Bungs: \_\_\_\_\_



## Left Leg – 1175.00

**Gear Width** (measurement A): \_\_\_\_\_

**Gear Length** (measurement B): Standard  3"  6"  9"

**Gear Sweep** (measurement C): Standard  3"  4.5"

**Middle Step** (add 100.00): Yes  No  Step Height (measurement D): \_\_\_\_\_

**Rear Step** (add 100.00): Yes  No  Step Height (measurement D): \_\_\_\_\_

**Fuel Line Tabs** (add 40.00): Yes  No  Axle Size: 1.25  1.5

**Quick Attach Bungs** (add 20.00 per bung): Yes  No  Number of Bungs: \_\_\_\_\_

# Cabane-V:

## Coating Options

- Bare Metal:**
- White powder coating** (add 275.00):
- Black powder coating** (add 275.00):
- Gold cad plating** (add 295.00):
- Silver cad plating** (add 295.00):

I understand that the above parts have no FAA Form 317 Statement of Conformity on file, as there are no FAA approved data with which to conform. Although each part was built in permanent jigs and fixtures and adhere to all of Acme Suspensions quality control measures, the owner assumes the risk and liability associated with all experimental aircraft.

Date: \_\_\_\_\_

Printed Name: \_\_\_\_\_

Signature: \_\_\_\_\_

### Acme Use Only:

Fabricator: \_\_\_\_\_ Date: \_\_\_\_\_

Serial Numbers: \_\_\_\_\_

Notes: \_\_\_\_\_