

Custom Landing Gear Build Form



Contact Info

Name: _____
 Street Address: _____
 City, State, Zip: _____
 Email Address: _____
 Phone Number: _____

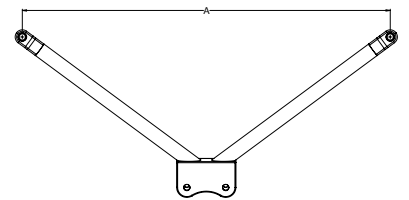
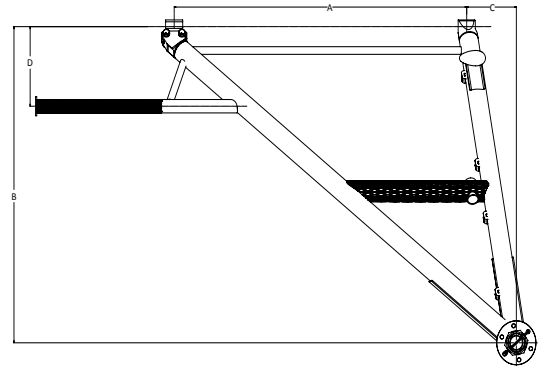
Airplane Make/Model: _____

Material Specs and Pricing

	<u>Weight</u>	
Chromoly 4130 Leg (each):	13.2	For pricing contact: sales@acmeaerofab.com 704-496-9022
Titanium Leg (each):	6.5	
Chromoly 4130 Cabane:	3.0	
Titanium Cabane:	1.6	

Gear Legs

Material:	4130	Titanium		
Gear Width (a):	_____			
Gear Height (b):	Standard	3"	6"	9"
Gear Sweep (c):	Standard	3"	4.5"	
Right Rear Step:	Yes	No	Left Step	Yes No
Brake Line Tabs:	Yes	No		
Rear Attachment:	Non-adjustable 1"		1.25"	Adjustable
Fuel Steps:	Yes	No		
Pivot Bolt AN Size:	_____			
Axle Size:	1.25"	1.5"		
Wheel Brand:	_____		Wheel Size:	_____
Brake Type:	_____			
Kuzina Nuts (add 250.00):	Yes	No		



Cabane-V

Eye-to-eye Measurement (a):	_____
Cabane Sweep:	Standard 3" Forward
Pivot Bolt AN Size:	_____

Notes

* I understand that the above parts have no FAA Form 317 Statement of Conformity on file, as there are no FAA approved data with which to conform. Although each part was built in permanent jigs and fixtures and adhere to all of Acme Suspensions quality control measures, the owner assumes the risk and liability associated with all experimental aircraft.

*gear legs and cabane-v do not come with hardware

Printed Name: _____ Date: _____

Signature: _____